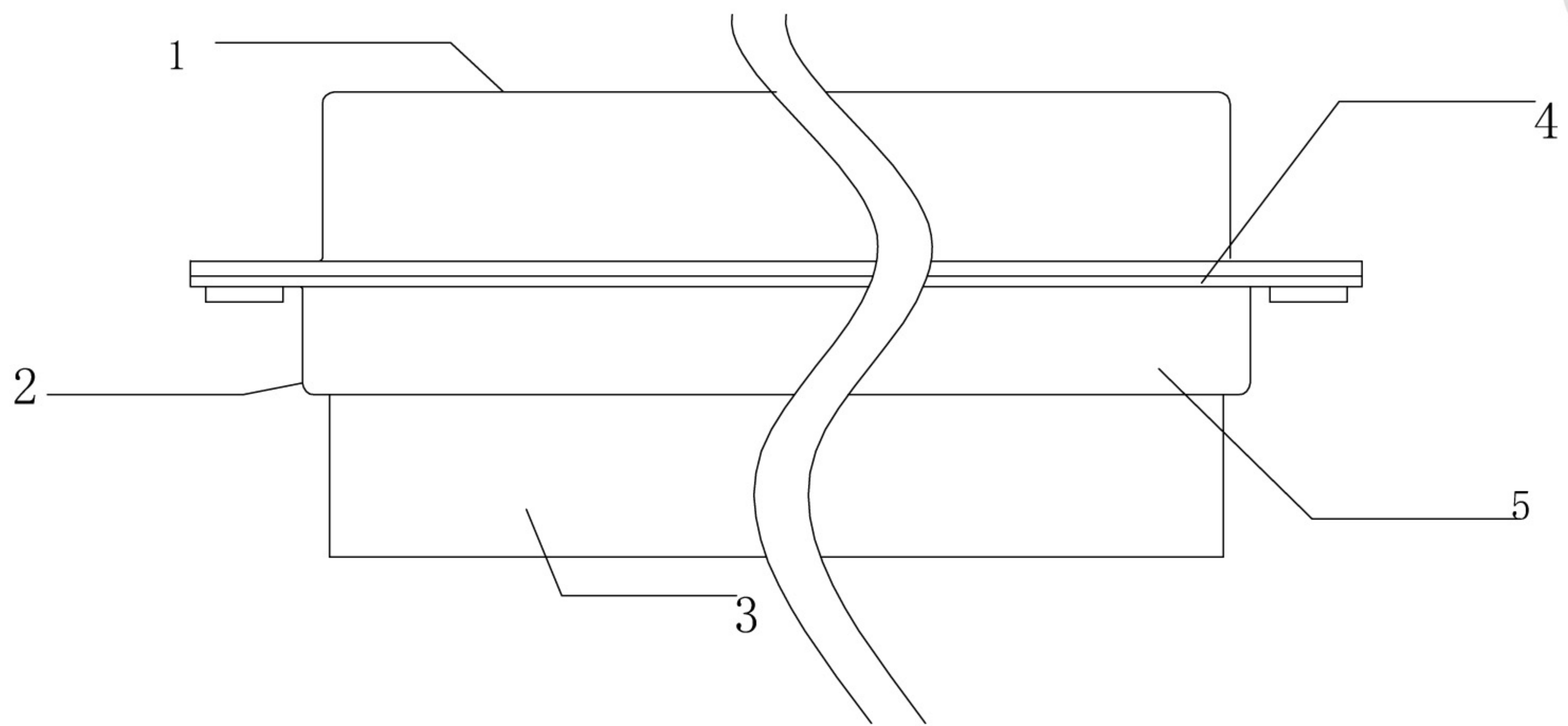
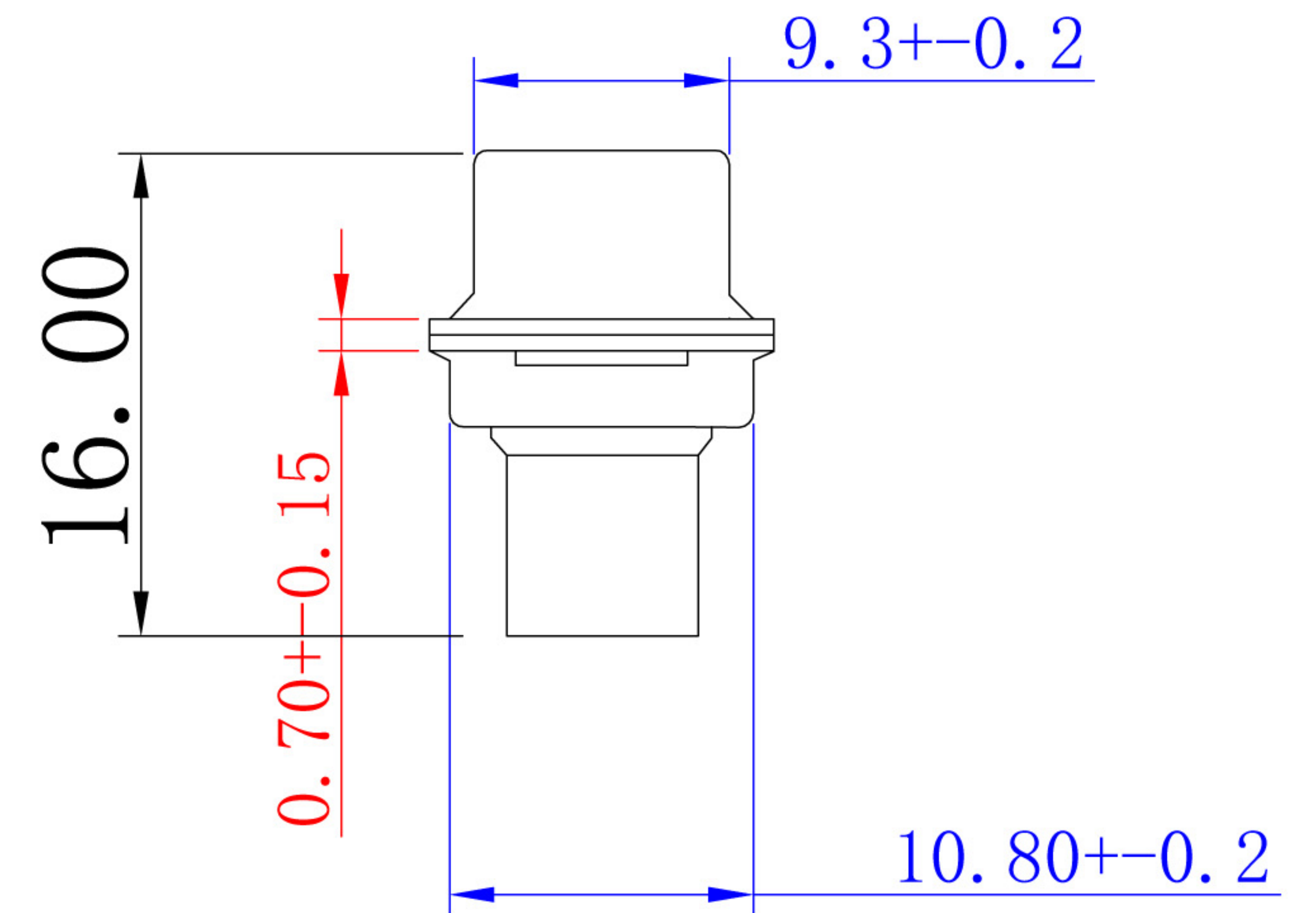
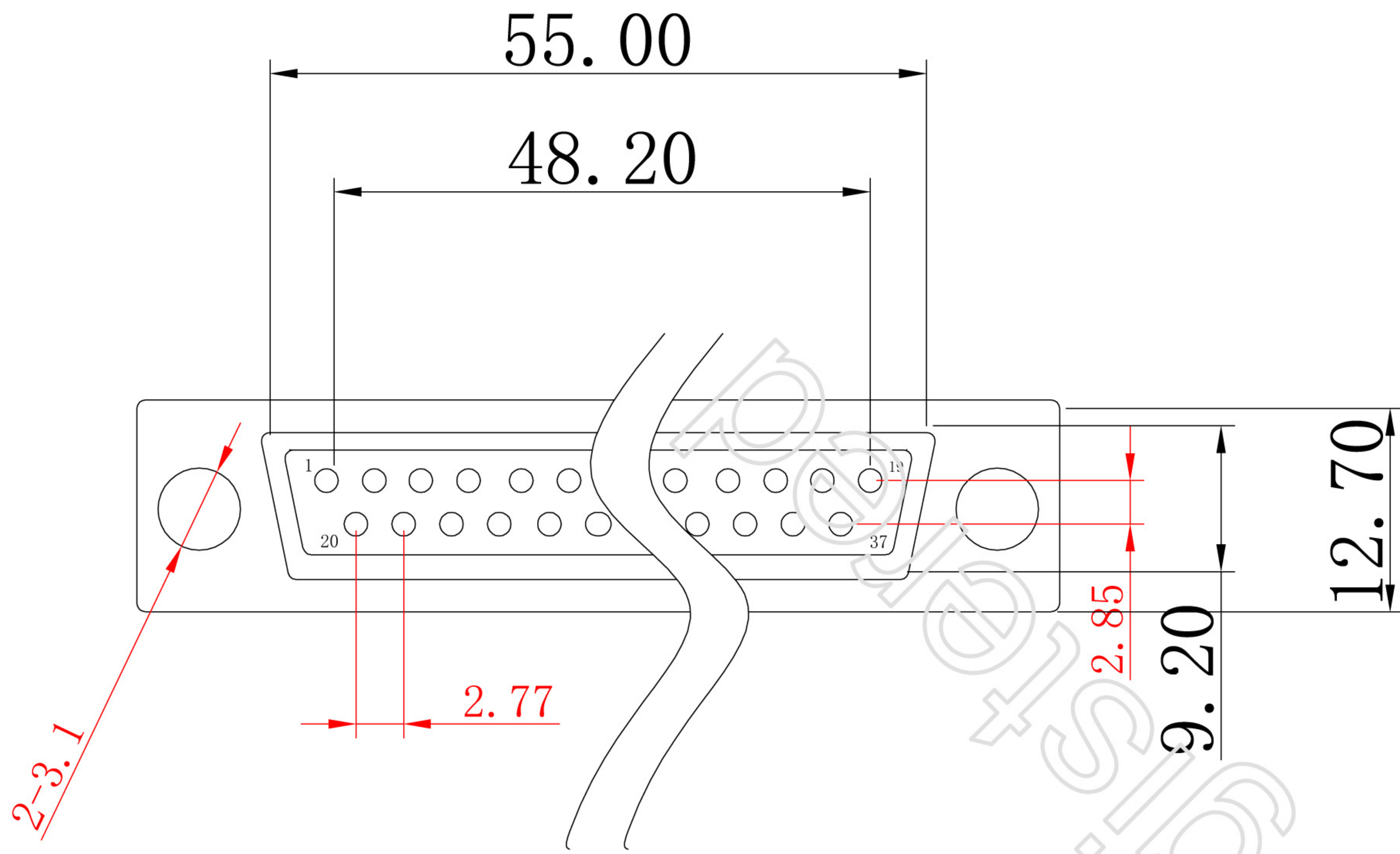


REVISIONS

SYM	ECNNO	DESCRIPTION	DATE	APPROVED



- 1. PRODUCT SERIES;DBW SILDER POT
- 2. CONTACT OPTION;2;RECEPTACCE
- 3. IRREGULAR CHANGES;0;STANDARD
- 4. POSITIOINS;**DB37PIN**
- 5. INSULATION COLOR;SLUE

注：未注公差±0.2MM

APPROVED		DATE	2008/11/18	SCALE	
CHECKED		DWG NO		ANGLE	
		UNIT	MM		
				Title:	DB37 Female Crimp Connector
				Part No.	579